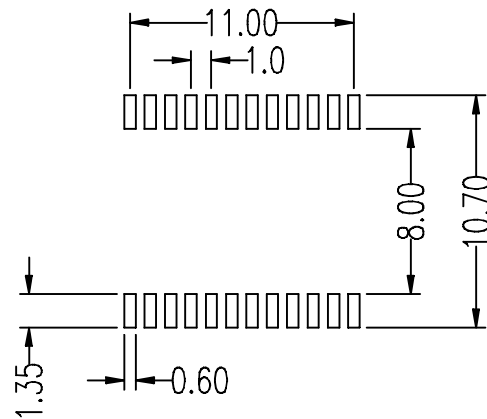
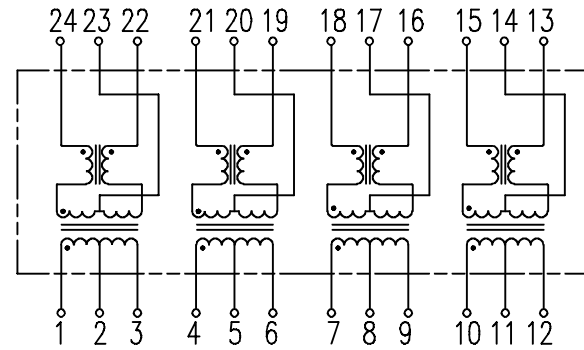


UNLESS OTHERWISE SPECIFIED ALL TOLERANCES ARE ± 0.25



PCB SUGGEST PAD LAYOUT



ELECTRICAL SPECIFICATIONS @25°C :

1. OCL : 350uH MIN. @100KHz, 1Vrms 8mA DC BIAS
2. TURN RATIO : TX = 1CT : 1CT  
RX = 1CT : 1CT
3. VOLTAGE ISOLATION : 1500Vrms
4. INSERTION LOSS : 1-100MHz = -1.0dB MAX.
5. RETURN LOSS (@100Ω) : 1-30MHz = -18dB MIN.  
40MHz = -14.4dB MIN.  
50MHz = -13.1dB MIN.  
60-80MHz = -12dB MIN.  
100MHz = -10dB MIN.
6. CROSS TALK : 30MHz = -45dB MIN.  
60MHz = -40dB MIN.  
100MHz = -35dB MIN.
7. DIFFERENTIAL TO COMMON MODE REJECTION : 30MHz = -43dB MIN.  
60MHz = -37dB MIN.  
100MHz = -33dB MIN.
8. RoHS COMPLIANT

								TITLE: 10/100/1000 BASE-T TRANSFORMER	
								DWG. NO. ATPL-402R	
RELEASE						UNITS:		SAFETY	
NO: DESCRIPTION DATE BY CHK APPD						DATE		P/N:	
REVISIONS								SHEET 1 of 1	
								DRAW	